



State of the Art, Inc.

2470 Fox Hill Road, State College, PA 16803-1797 USA
tel: (814)355-8004 fax: (814)355-2714 www.resistor.com

Restriction on Hazardous Substances (RoHS)

Directive (EU) 2015/863 amends Annex II to EU RoHS 2 (Directive 2011/65/EU) of the European Union's RoHS legislation¹ to add four phthalates to the restricted list. RoHS prohibits the sale of products that contain more than 0.01% cadmium and more than 0.1% by weight lead, mercury, chromium (VI), polybrominated biphenyls (PBB), polybrominated diphenyl ethers (PBDE), bis(2-ethylhexyl) phthalate (DEHP), butyl benzyl phthalate (BBP), Dibutyl phthalate (DBP), and/or di-isobutyl phthalate (DIBP) unless an end use exemption is granted.

Our products may contain the prohibited materials cadmium, as cadmium oxide, and lead. Lead is found in the tin-lead solder termination finish found on some surface mount products. Lead is also found in the glasses and resistive materials used in our thick film products. Cadmium, as cadmium oxide, is found in some high power chip resistor stock and all of our chip resistors with platinum/gold termination finish.

The RoHS status of our products can be determined by several codes in our product's part identification number. Our part identification numbers have various formats, examples of these formats used for various products are shown below:

Semi-precision thick film chip resistors: S1206CPX1000F10, S1206CPY102G30

Precision thin film chip resistors: S1206CA1000FEB, S0303AS1000FKW

Zero ohm chip resistors (jumpers): S0402CPX000

Chip attenuators: S0303AC10B0B, S0706CW6B0B, S1512CT3B0BN7

MIL-PRF-55342 chip resistors: M55342K06B100BR, D55342K07W100DT

MIL-PRF-32159 zero ohm chip resistors: M32159C12M, M32159B06T.

MIL-PRF-914 surface mount resistor networks: M914D04K1002FMM

Surface mount resistor networks: SJCB20L1001FA, SD1516K1001FB.

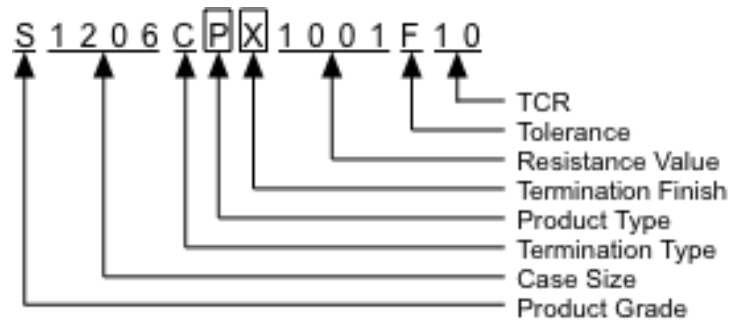
¹ Directive (EU) 2015/863 of 31 March 2015 amending Annex II to Directive 2011/65/EU of the European Parliament and of the Council as regards the list of restricted substances.

Semi-Precision Thick Film Chip Resistors

SOTA's semi-precision thick film resistors contain lead in the glass and resistive material of these electrical components. These resistors may also contain lead or cadmium in other portions of the device and do not comply with RoHS.

Resistors with resistance values greater than 0.05Ω and less than 1Ω may contain cadmium oxide in the resistive material. Contact sales@resistor.com for more info if you are using devices with resistance values <1 Ω.

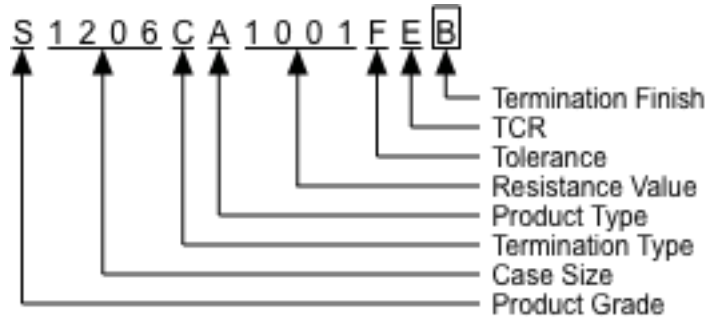
RoHS prohibited materials are also determined by the product and termination finish codes in the part number.



- Termination Finish codes **P**, **V**, **X**, **Y**, and **Z** may contain cadmium oxide.
- Termination Finish codes **X**, **N**, and **K** contain a tin lead (SnPb) solder finish.

Precision Thin Film Chip Resistors

SOTA's precision thin film resistors may contain lead and may not comply with RoHS. RoHS status is determined by the termination finish code in the part number.

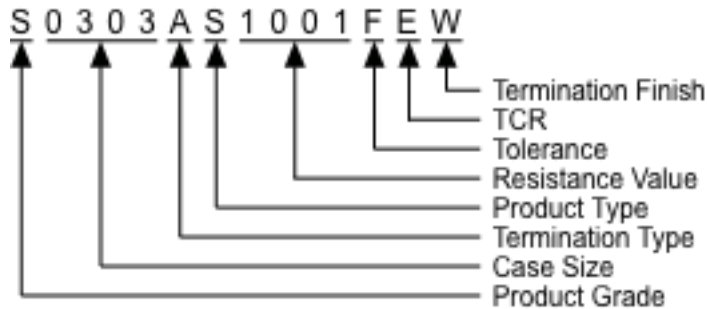


Termination Finish codes **B** and **K** do not comply with RoHS due to the tin lead (SnPb) solder finish.

Termination Finish codes **Y**, **V**, **M**, **W**, and **A** comply with RoHS.

Precision Thin Film Silicon Resistors

State of the Art, Inc. (SOTA) precision thin film silicon resistors comply with RoHS. Silicon resistors are identified by the product code **S** in the part number.



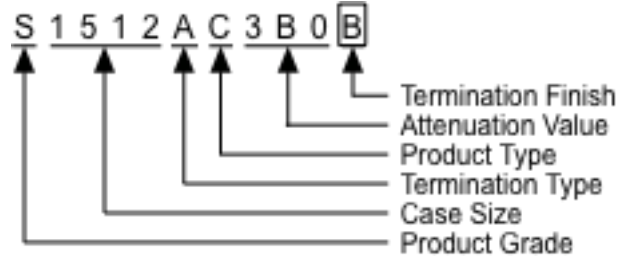
All precision thin film resistors on silicon are ROHS compliant.

Zero Ohm Chip Resistors (Jumpers)

Zero ohm chip resistors are made using thick film materials containing lead in the glass of these electrical components. These resistors may also contain lead or cadmium in other portions of the device and are not RoHS compliant.

Fixed Chip Attenuators

State of the Art, Inc. (SOTA) fixed chip attenuator products with product codes **W** and **D** contain lead in a glass and resistive material of these electrical components and are not RoHS compliant. Fixed chip attenuators may also contain lead in other portions of the device and may not comply with RoHS. RoHS status is determined by the product and termination finish codes in the part number.



Termination Finish codes **B** and **K** do not comply with RoHS due to the tin lead (SnPb) solder finish.

Fixed chip attenuator products with product codes **C**, **G**, and **J** may be RoHS compliant based on termination finish:

Termination Finish codes **Y**, **V**, **M**, and **W** comply with RoHS.

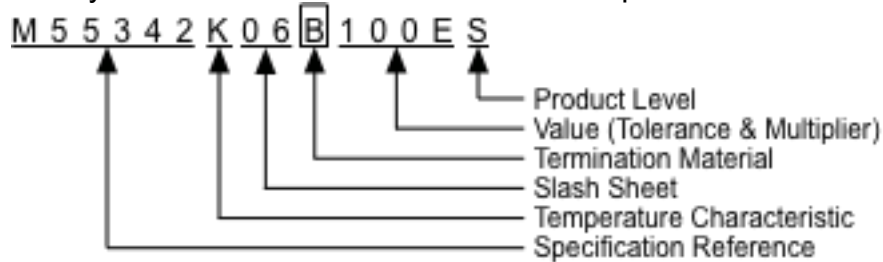
Temperature Variable Chip Attenuators

Temperature variable attenuators (product code T) contain lead in the resistive materials of these electrical components and may also contain lead in other portions of the device. Temperature variable attenuators are not RoHS compliant.

MIL-PRF-55342 Chip Resistors

MIL-PRF-55342 chip resistors may contain lead and may not be RoHS compliant. State of the Art, Inc. (SOTA) semi-precision thick film resistors contain lead in the glass and resistive material of these electrical components and are not RoHS compliant. Some semi-precision thick film resistors with resistance values greater than 0.05Ω and less than 1Ω may also contain cadmium oxide. Contact sales@resistor.com for more information.

SOTA precision thin film devices (E & H temperature characteristics and/or <1% tolerance) do not contain leaded glass or leaded resistive material. RoHS status is determined by the termination material code in the part number:

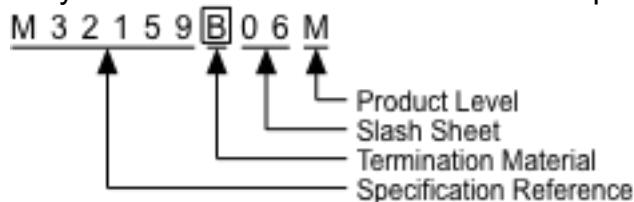


Termination Material code **B** does not comply with RoHS due to the tin lead (SnPb) solder finish.

Termination Material code **W** may comply with RoHS.

MIL-PRF-32159 Zero Ohm Chip Resistors

MIL-PRF-32159 zero ohm chip resistors contain lead in the glass of these electrical components and are not RoHS compliant. Additional RoHS restricted material status is determined by the termination material code in the part number:

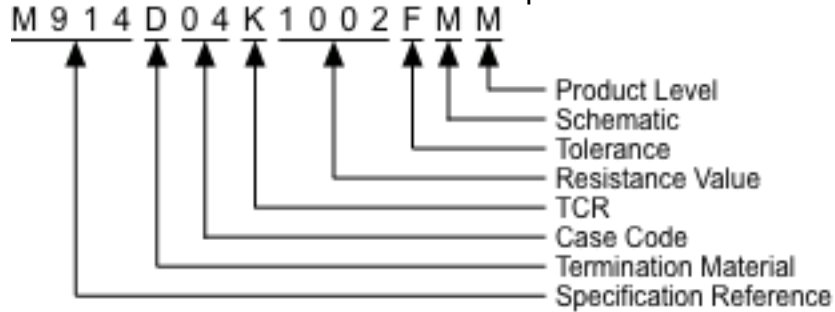


Termination Material code **B** contain 60/40 tin lead (SnPb) solder finish.

Termination Material code **U** contains cadmium oxide.

MIL-PRF-914 Surface Mount Resistor Networks

State of the Art, Inc. (SOTA) surface mount resistor networks do not comply with RoHS due to the lead in the tin lead (SnPb) solder termination finish. These resistor networks are also made using thick film materials that contain lead in the glass and resistive material of the electrical components.



Surface Mount Resistor Networks

State of the Art, Inc. (SOTA) surface mount resistor networks do not comply with RoHS due to the tin lead solder termination finish. These resistor networks are made using thick film materials that contain lead in the glass and resistive material of the electrical components.

