

EV On-Board DC/DC Converter



Features

- Constant current for battery charging applications
- Input and output reverse polarity protection
- CAN2.0B interface
- Bootloader via CAN bus
- IP67 enclosure, liquid cooled
- Full set of protections

Absolute Maximum Rating

Excessive stresses over these absolute maximum ratings can cause damage to the converter. Operation should be limited to the conditions outlined under the Electrical Specification Section.

Parameter	Min	Max	Unit
Input Voltage (continuous)	-470	470	Vdc
Operating Temperature (case)	-40	85	°C
Storage Temperature	-55	125	°C

Electrical Specifications

These specifications are valid over the converter's full range of input voltage, output voltage, output current, and operating temperature unless noted otherwise.

Input Specifications

Parameter	Min	Typical	Max	Unit
Input Voltage	240	350	450	Vdc
Input Current	-	-	18.5	A
Wakeup Bias Voltage (connected to the main output)	12	28	32	Vdc
Current Draw of Wakeup Bias (standby)	0.3	0.4	0.5	A
Current Draw of Wakeup Bias (normal operation)	0.9	1	1.1	A
ENABLE High	7	28	32	Vdc
ENABLE Low	0	1	1.5	Vdc

Output Specifications

Parameter	Min	Typical	Max	Unit
Output Voltage Set Point (software adjustable)	-	28.0	32.0	Vdc
Output Current (software adjustable)	-	-	143	A
Output Voltage Set Point Accuracy (typical Vin; full load; Ta = 25°C)	-2	-	+2	%Vo
Output Voltage Set Point Accuracy (over all conditions)	-2	-	+2	%Vo
Output Ripple and Noise Voltage RMS	-	-	200	mVrms
Peak-to-peak (5 Hz to 20 MHz bandwidth, typical Vin)	-	-	300	mVp-p
Output Power	-	-	4000	W
Efficiency				
Typical Vin; 20% of full load, Ta = 25°C	-	92.0	-	%
Typical Vin; 50% of full load, Ta = 25°C	-	93.0	-	
Typical Vin; 100% of full load, Ta = 25°C	-	92.0	-	
Output Ripple Frequency	220	230	240	kHz
Dynamic Response (typical Vin; Ta = 25°C; load transient 0.1A/μs)				
Load step from 10% to 100% of full load:				
Peak deviation	-	5	-	%Vo
Settling time (to 10% band of Vo deviation)	-	0.5	-	ms
Load step from 100% to 10% of full load:				
Peak deviation	-	5	-	%Vo
Settling time (to 10% band of Vo deviation)	-	0.5	-	ms
Turn-on Time (from applying DC input to Vo=90%)	-	200	-	ms

General Specifications

Parameter	Min	Typical	Max	Unit
Ingress Protection	IP67			
Isolation Capacitance	-	6,000	-	pF
Dimensions (not including terminals)	345.0 x 256.0 x 94.2			mm
Weight	-	6.2	-	kg
Operating Humidity	5	-	95	%RH
On/Off DC-DC converter	CAN command			

Cooling Specifications

Parameter	Description
Cooling Style	Liquid cooled, inlet liquid temperature less than 65°C
Coolant Medium/Mixture	50/50 Ethylene Glycol/Water
Coolant Flow (typical)	5L/min.
Pressure Drop	See Appendix I

Protection Specifications

Parameter	Notes	Min	Typical	Max	Unit
Input Under-voltage Protection		225	230	235	Vdc
Input Under-voltage Recovery	Auto-recovery	230	235	240	
Input Over-voltage Protection		455	460	465	
Input Over-voltage Recovery	Auto-recovery	450	455	460	
Output Over-voltage Protection		-	33.6	-	
Output Over-voltage Recovery	Auto-recovery	-	32.0	-	
Output Over-current Protection	Current limiting mode	-	143	-	A
Output Short Circuit Protection	Auto-recovery				
Over Temperature Protection		100	105	110	°C
Over Temperature Recovery	Auto-recovery	90	95	100	

Safety Specifications

Parameter	Notes	Min	Typical	Max	Unit
Isolation Voltage	Input-Case, 1 minute, <5mA	2,000	-	-	Vac
Insulation Resistance	Input-Output, 1000Vdc, 90%RH, nominal air pressure	200	-	-	MΩ
	Input-Case, 1000Vdc, 90%RH, nominal air pressure	200	-	-	

Note: The negative output terminal is connected to Case.

Communication Specifications

Parameter	Description
Interface	Based on CAN2.0B interface at 500Kbps baud rate
Protocol	NetPower standard protocol, detailed in CAN matrix: CD1XKX-DCDC-J1939-V2.0
Functions	Turn on/turn off DC-DC converter
	Set output voltage
	Set maximum input current limit
	Monitor real-time parameters(voltages, currents and temperature) and faults
	Bootload software

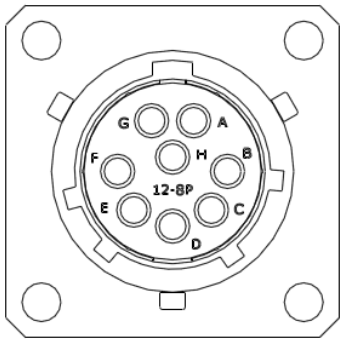
Customization Specifications

Parameter	Description
Output Reverse Polarity Protection	Detect the polarity of the output terminal connection, if the connection is reversed, the DC-DC converter will be latched off
Parallel	Multiple DC-DC converters can operate in parallel to provide higher output power
CAN Communication Baud Rate	Choice of: 125kbps, 250kbps, 500kbps(default) or 1000kbps
UDS Diagnostic and Bootloader	ISO 14229 Road Vehicles—Unified Diagnostic Services(UDS) ISO 15765 Road Vehicles—Diagnostics on Controller Area Networks(CAN)
J1939 Communication, Diagnostic and Bootloader	SAE J1939-21 Data Link Layer SAE J1939-71 Vehicle Application Layer SAE J1939-73 Application Layer—Diagnostics SAE J1939-81 Network Management
Customized Protocol	According to customer requirements

Interface Definition

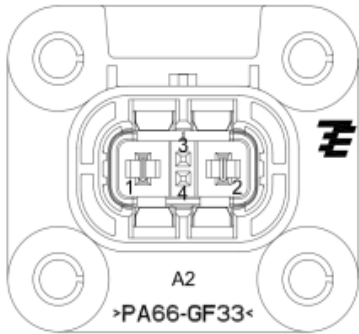
Connector	Connector Model	
	Connector PN	Mating Connector PN
Input Connector	2103124-4; 2-2141600-2; 928999-5	4-2103177-4; 1-968853-3; 1587828-3; 1587829-3; 1587826-3; 2103181-3;
	Supplier: TE	
Output Connector	Positive: SLPIRBBPSR0EH (C10-738726-3100)	SLPIPB70BSR0EH (C10-738727-3700)
	Negative: SLPIRBBPSB0EH (C10-738726-2100)	SLPIPB70BSB0EH (C10-738727-2700)
	Supplier: Amphenol	
Signal Connector	LPT02SE-12-8P(023)(LC); LPTC-SF-20P-20-1; C10-101949-012	LPT06SE-12-8S(023)(LC); LPTC-SF-20S-20-1
	See "Signal Connector Description"	

Signal Connector Description

Pin	Name	Description	Model: LPT02SE-12-8P(023)(LC); LPTC-SF-20P-20-1; C10-101949-012 Supplier: Amphenol
A	ENABLE	Enable DC-DC converter	
B	HVIL+	High voltage interlock +	
C	HVIL-	High voltage interlock -	
D	28V+	External bias input+, connected to 28V+	
E	NC	No connection	
F	28V-	External bias input-, connected to 28V-	
G	CANH	CAN communication high line	
H	CANL	CAN communication low line	

Note: "HVIL+" and "HVIL-" are output signals that are internally connected with "HVIL+" and "HVIL-" in the input connector respectively.

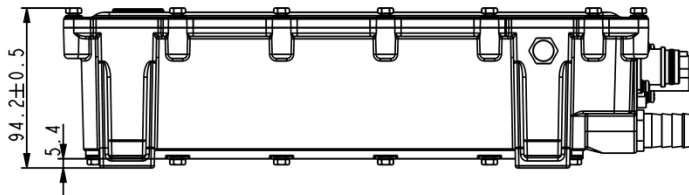
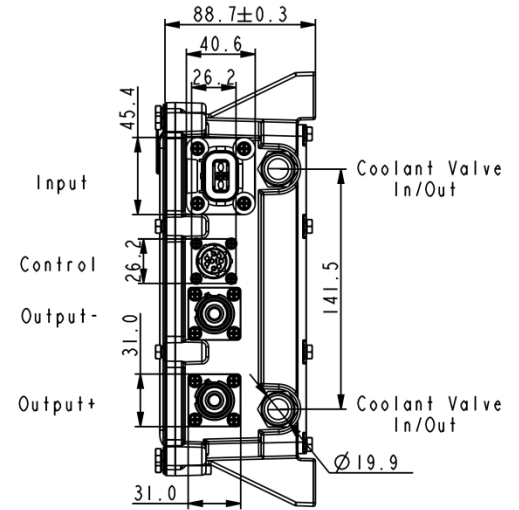
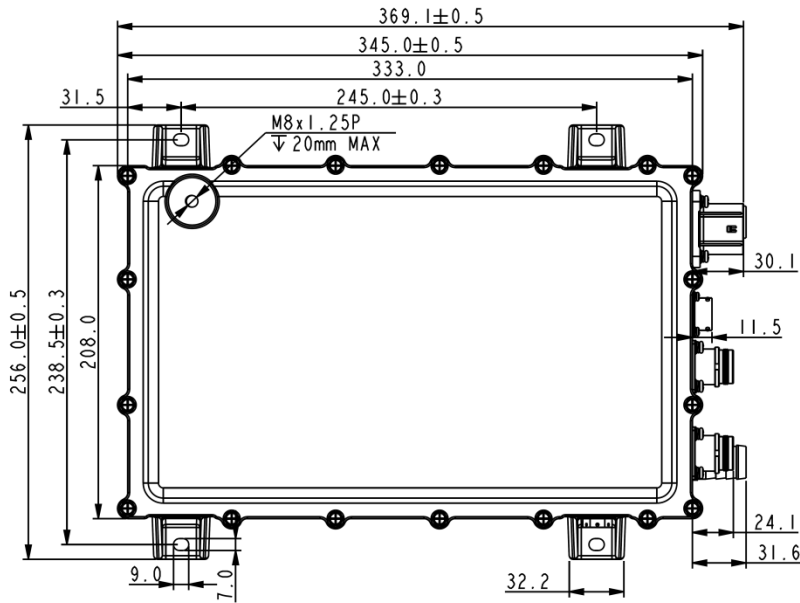
Input Connector Description

Pin	Name	Description	Model: 2103124-4; 2-2141600-2; 928999-5 Supplier: TE
1	Vin-	Input voltage -	
2	Vin+	Input voltage +	
3	HVIL+	High voltage interlock +	
4	HVIL-	High voltage interlock -	

Note: "HVIL+" and "HVIL-" are shorted together once the high voltage input cable is properly plugged in.

Mechanical Drawing

Unit: mm





Appendix I

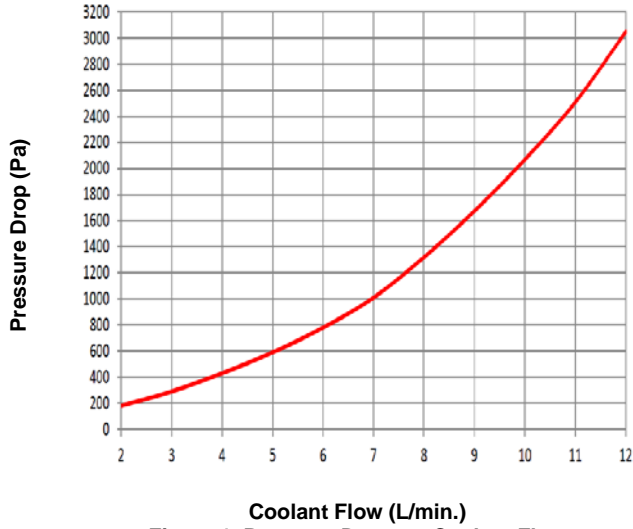


Figure 1. Pressure Drop vs. Coolant Flow