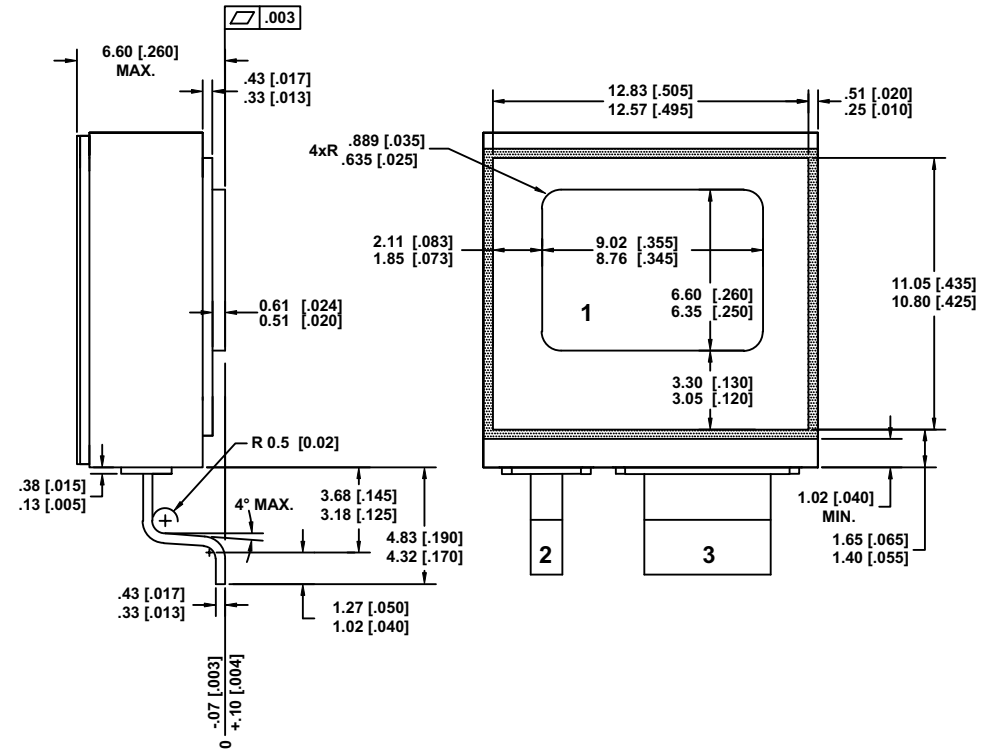
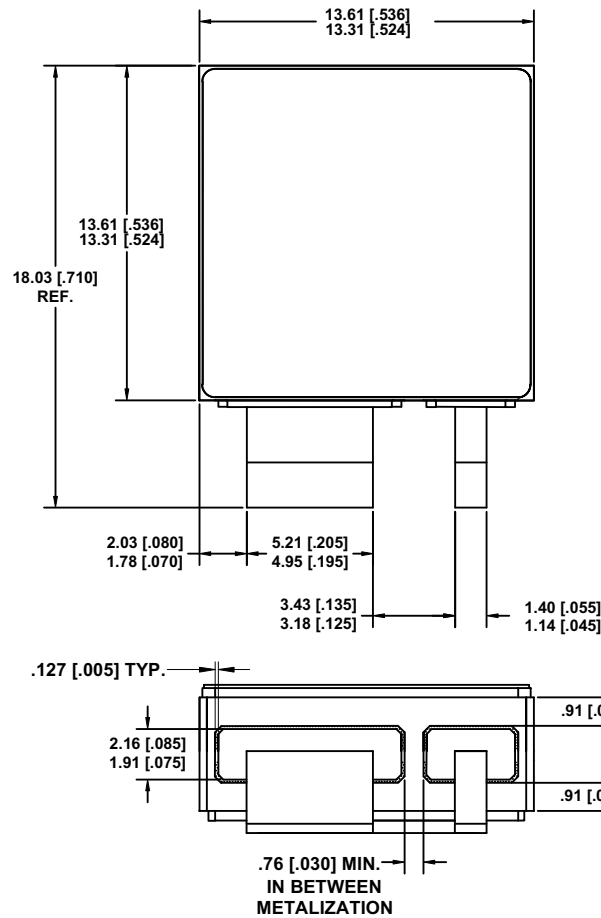


REV.	DESCRIPTION	ECN	DATE
E	INITIAL RELEASE	1120_08064	6-23-20



NOTES:

1. FOR REFERENCE ONLY: LEAD LENGTH AFTER TIE-BAR CUT MUST $.300 \pm .015$ FROM THE FROM PACKAGE BODY.
2. BEND AND TRIM LEADS USING EQUIPMENT ASSET #03493.
3. STANDARD FINAL FINISH ON ALL TERMINALS IS SOLDER ALLOY 63%Sn 37%Pb.

IOR HiRel
 An Infineon Technologies Company

TITLE:
 SUPIR-SMD, OUTLINE

DRAWING NO.
 D101003G-WEB

REV E