

ELI-40626 (SIZE-6T)

Heavy Duty Li-Ion Rechargeable Battery Pack

General description

- Rugged Lithium Ion battery for vehicle and marine heavy duty application
- 8 times more energy than in a similar AGM/Gel battery
- 500 charging cycles and 5 year shelf life
- Plug and Play replacement of Lead-Acid batteries
- Smart battery with self-balancing and self-charging capability: does not require dedicated charger
- Serial and parallel interconnectivity with additional batteries supporting group operation

Charge Method (CCCV)

- Embedded charging circuit; charge using 30VDC power supply
- Charging Voltage: 28.8VDC to 30VDC
- Charging current: 25A

Safety

- Under/over voltage
- Under/over current
- Short circuit
- Temperature
- Cell Balancing

Quality System

- ISO-9001:2008; AS-9100

Standards

- UN-38.3
- MIL-STD-810E
- UL-1642 (for cells)

MSDS and Disposal

- Check with manufacturer



Electrical

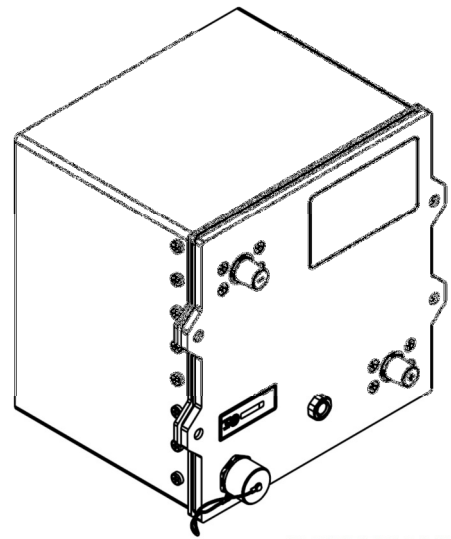
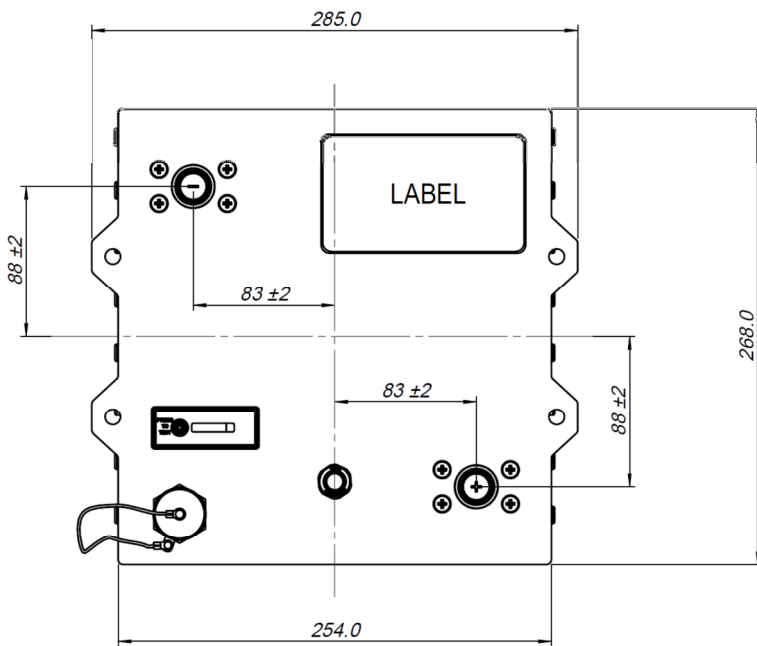
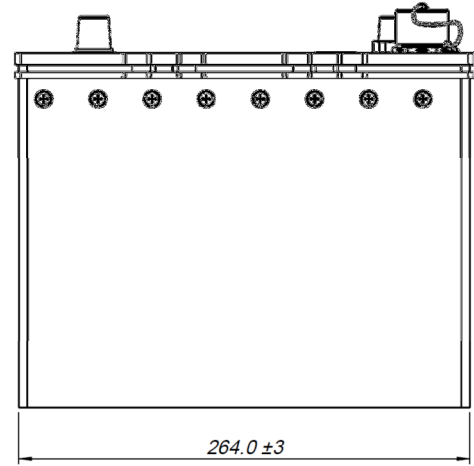
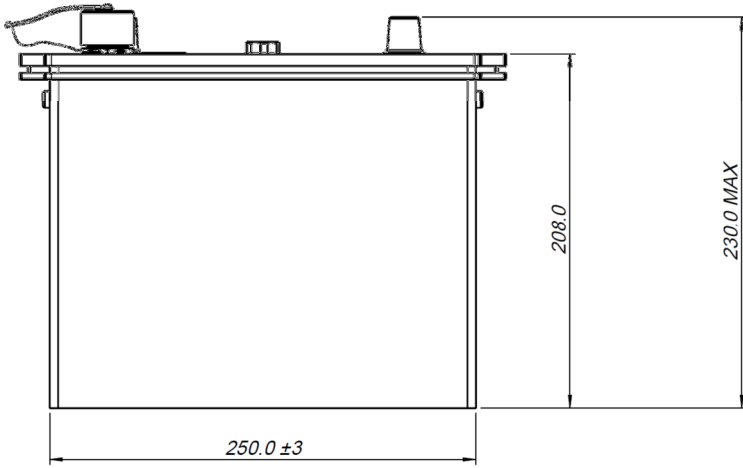
Capacity (typical)	174 Ah
Energy	4,500 Wh
Max. voltage	29.4 V
Nom. voltage	25.2 V
Max. Dis. Current (cont.)	300 A
Communication	CANBus 2.0B; LED Fuel Gauge
Life Cycle	500 cycles to 80% capacity @ 100% DoD

Mechanical

Dimensions	(L;W;H) 268mm X 285mm X 230mm
Weight	30kg
Energy Density	>150Wh/kg; >337Wh/l
Battery Housing	ABS
Color	Gray, customizable

Environmental

Charge	0°C to 45°C
Discharge	-20°C to 60°C
Storage	-20°C to 50°C
Humidity	0 to 95%
Transportation	Class 9



ISOMETRIC VIEW